



雷诺尔

Shanghai RENLE
Science&Technology Co., Ltd.

Shanghai RENLE Science & Technology Co., Ltd
No.188 Building 1, Lane 3968, Chengbei Road, Jiading District,
Shanghai, 201807, P.R. China
Tel: +86-21-3953 8058, 5996 6666
Fax: +86-21-3953 8129
E-mail: info@renle.eu

RENLE Europe GmbH
Wendemuthstraße 5
22041 Hamburg
Germany
Tel: +49 40-2508 415
Fax: +49 40-5009 7043

<http://www.renle.eu>
National toll free service
Hotline: +86 800-8200-785
August , 2019



Please pay attention to Renle's WeChat Public Service Account for real time technology and product information.

Technical innovation benefits the world
RENLE Science & technology

Declaration:

All photographs in this catalog are taken on actual location. No organization or person is allowed to reprint or modify them without prior permission. The products and their description in this catalog are subject to upgrade with the renovation of the products. Please refer constantly to RENLE's official website: www.renle.com. Shanghai RENLE Science & Technology Co, Ltd reserves the right of final interpretation.

Technical innovation benefits the world

RENLE Science & technology



RENLE

RNB5000 SERIES
FREQUENCY INVERTER



雷诺尔

Shanghai RENLE
Science&Technology Co., Ltd.



雷诺尔

Shanghai RENLE
Science&Technology Co., Ltd.

Professional Manufacturer of Smart Grid, New Energy and Electric Drive



Shanghai RENLE Science & Technology Co., Ltd is a large enterprise that incorporates capital operation, brand operation and industry operation. Renle's products include LV/MV motor soft starter, LV/MV frequency inverter (VFD or AC drive), intelligent electric equipment, new energy electric equipment and complete sets of LV/HV power transmission and distribution equipment etc.



Company Profile

Shanghai RENLE Science & Technology Co., Ltd is located in the High & New Technology Industrial Park of Jiading District, Shanghai, China. The company covers a total area of 100,000 square meters, including 85,000 square meters of workshops. Renle' s products include LV/MV/HV motor soft starter, LV/MV/HV frequency inverter (VFD or AC drive), intelligent electric equipment, new energy electric equipment and complete sets of LV/HV power transmission and distribution equipment etc. The products are widely used in different kinds of industries and fields, such as textile, papermaking, machine tools, packing, food and lifting etc. They are perfectly used for crusher, compressor, winch, drawbench, transfer cart, feeder, mixer, spinning machine, cigarette making machine, injection molding machine, submersible pumps and other mechanical equipment. Renle' s products are well exported to many countries and areas in the world.

Renle' s products have been used as parts of complete national key projects, such as Expo 2010 Shanghai China, 2008 Beijing Olympic Games, Yangshan Deepwater Port Project of Shanghai International Shipping Center, Shanghai Pudong Airport, Shanghai Hongqiao Airport, the Three Gorges Project, Gansu Satellite Launching Center, South-to-North Water Diversion Project, West-to-East Natural Gas Transmission Project, China National Petroleum Corp. and SINOPEC etc. The products receive unanimous appraisal from the customers for excellent quality and perfect after-sales service.

Renle always lays emphasis on quality control so as to attain perfection. The company has passed the certification of ISO9001 Quality Management System, ISO 14001 Environment System, OHSAS 18001 Occupational Health and

Safety Management System, CE, TUV, GOST and national CCC etc. RENLE has been continuously introducing internationally advanced production and test equipment to establish laboratories and provide R&D experiment base to domestic universities and colleges. The company, paying much attention to independent innovation, has established powerful new product R&D technical center.

For many years Renle has been striving for and devoted to production modernization, administration collectivization, production specialization and technical leading. Renle has achieved many honors: Key High-tech Enterprise of National Torch Program, High and New Tech Enterprise, National Enterprise of Credit, State-level Key New product, Shanghai Innovative Enterprises, Shanghai Enterprise Certifying Technology Center, Shanghai Renowned Brand, Shanghai Famous Brand Product, Shanghai Key New Product, Shanghai Renowned and High Quality Product, Post-doctoral workstation and Smart Grid R&D centers.

Renle will continually develop energy saving, high efficient, precise and humanized products, as well as help customers realize economic transformation and industrial upgrading with unique industrial control technology, advanced and applicable innovation products and profoundly integrated solution. In addition, Renle will speed up its pace of internationalization, satisfy the customers with quality and try to become a world renowned professional supplier of smart electric equipment!

RENLE

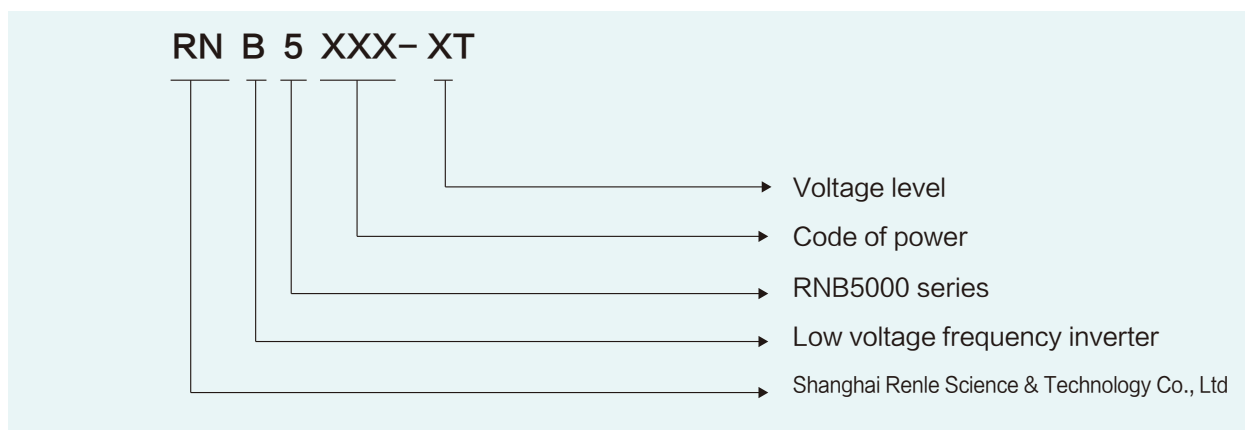
RNB5000 SERIES FREQUENCY INVERTER



RNB5000 SERIES FREQUENCY INVERTER

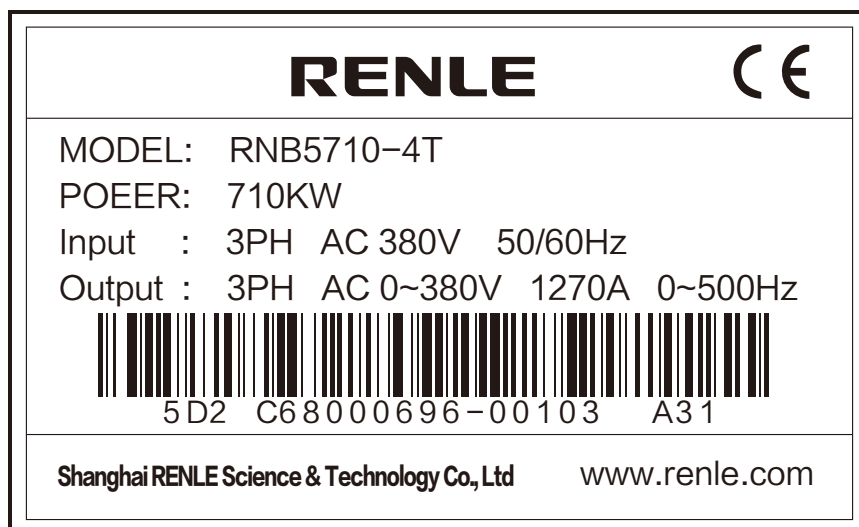
- **Model description**

- Nomenclature



Character	Description
RN	Shanghai Renle Science & Technology Co., Ltd
B	Low voltage frequency inverter
5	RNB5000 series
XXX	Code of power: such as, 0.37: 37kW, 110: 110kW, 1000:1000kW
-XT	Voltage level: 4T: 3-phase, 380V; 6T: 3-phase, 690V; 11T: 3-phase, 1140V

- Nameplate of inverter



● Features

RNB5000 series inverter is a low voltage (large) power and medium voltage inverter developed for common usage. It is not only applicable for universal fan and pump load driving, but also widely used for industrial automation equipment control of many industries, such as textile, stone sawing, air compressor, oil field, coal mine etc. It can also provide solutions for ball mill, injection molding, intelligent motor and other professional applications.

● Technical features

- Using high-performance current vector control. High starting torque can be realized also for induction motors.

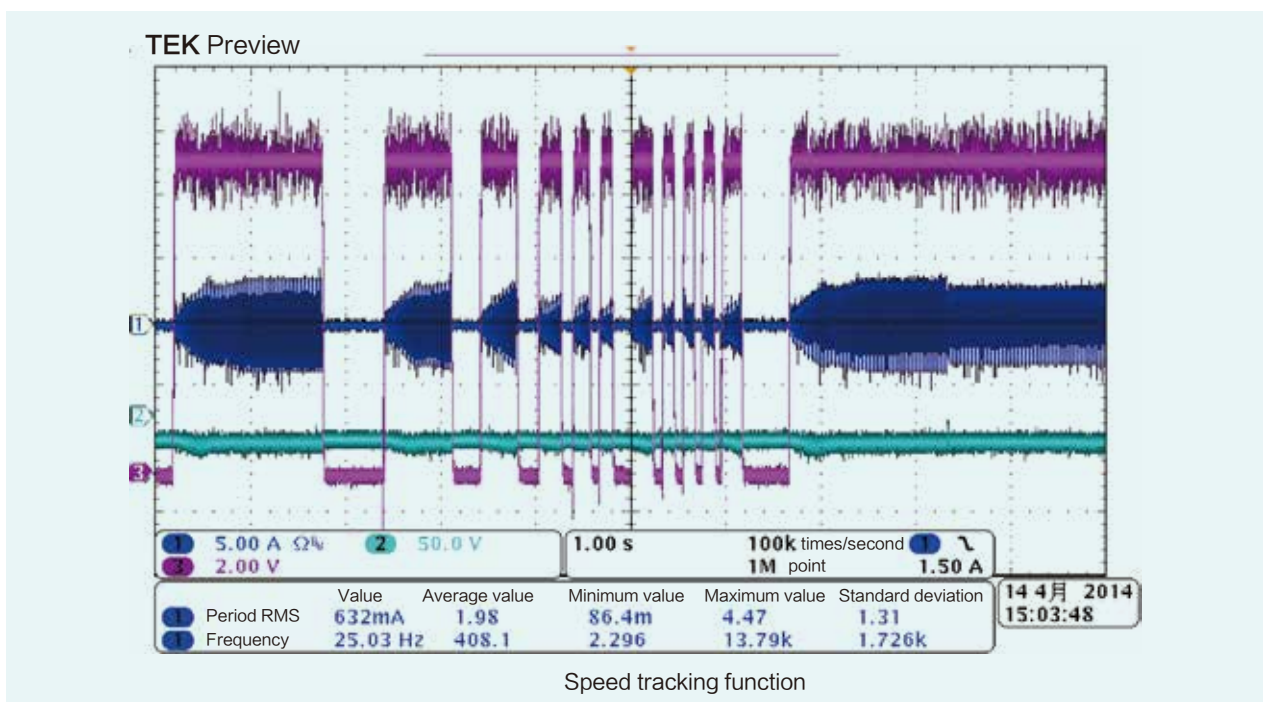
V/F control	1Hz, 150% torque (speed control range - 60:1)
Open loop vector control	0.5Hz, 150% torque (speed control range - 100:1)
Closed loop vector control	0Hz, 180% torque (speed control range - 1000:1)

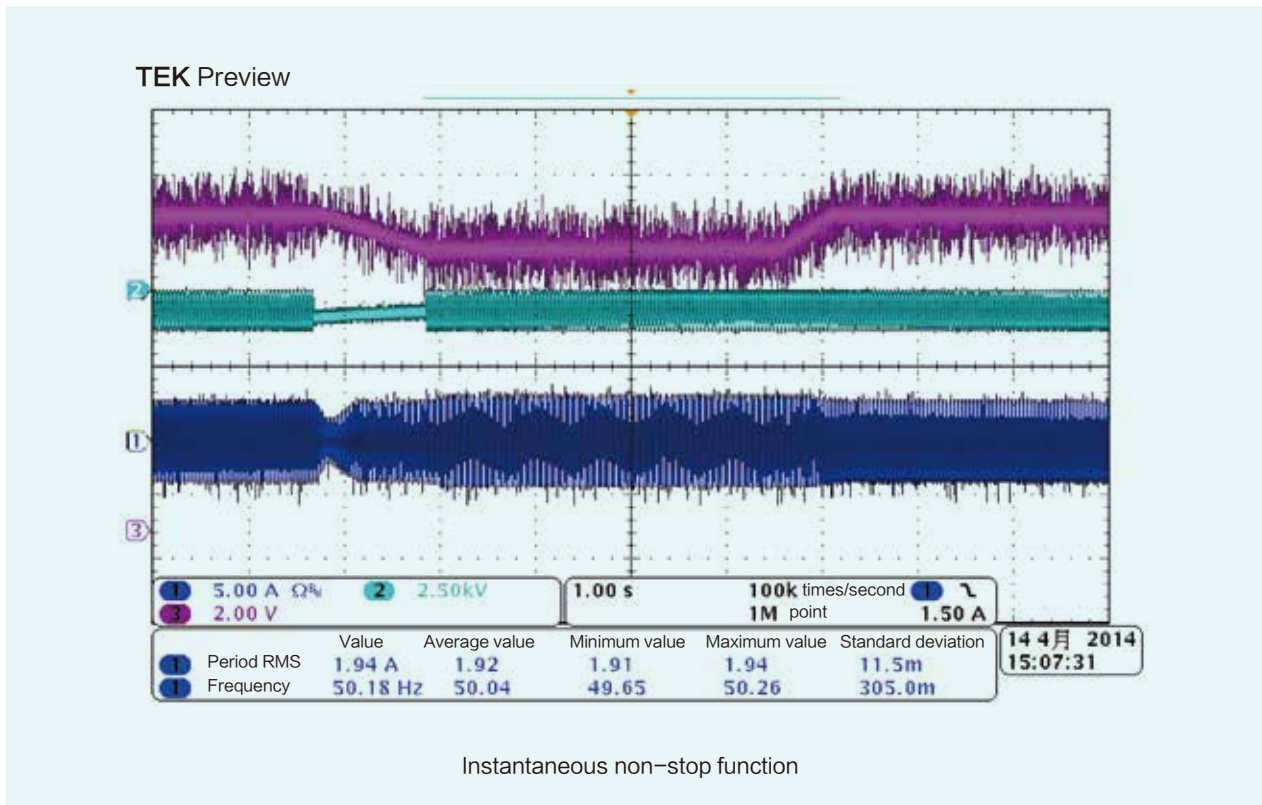
- Equipped with abundant parameter tuning method

Static self-tuning	Most suitable for debugging purposes under the state of connection to motor and handling machinery.
Rotation self-tuning	Most suitable for the application of high starting torque, high speed, high control precision;
Online parameter self-tuning	During operation, the change of the motor characteristics can be detected and the high-precision speed control can be performed.

- Instantaneous power outage measures in accord with the application

Speed tracking function is most applicable for fluid machinery with rotating body, such as fans and blowers. Instantaneous non-stop function and power outage measures for film production line can leave out the UPS and other special equipment. Automatic instantaneous power failure compensation is performed when low power is detected.





- **Easy debugging**

Application selection function: Just select the mechanical application, you can have the automatically set and the most appropriate parameters, without cumbersome parameter settings. So the trial run time can be shortened.

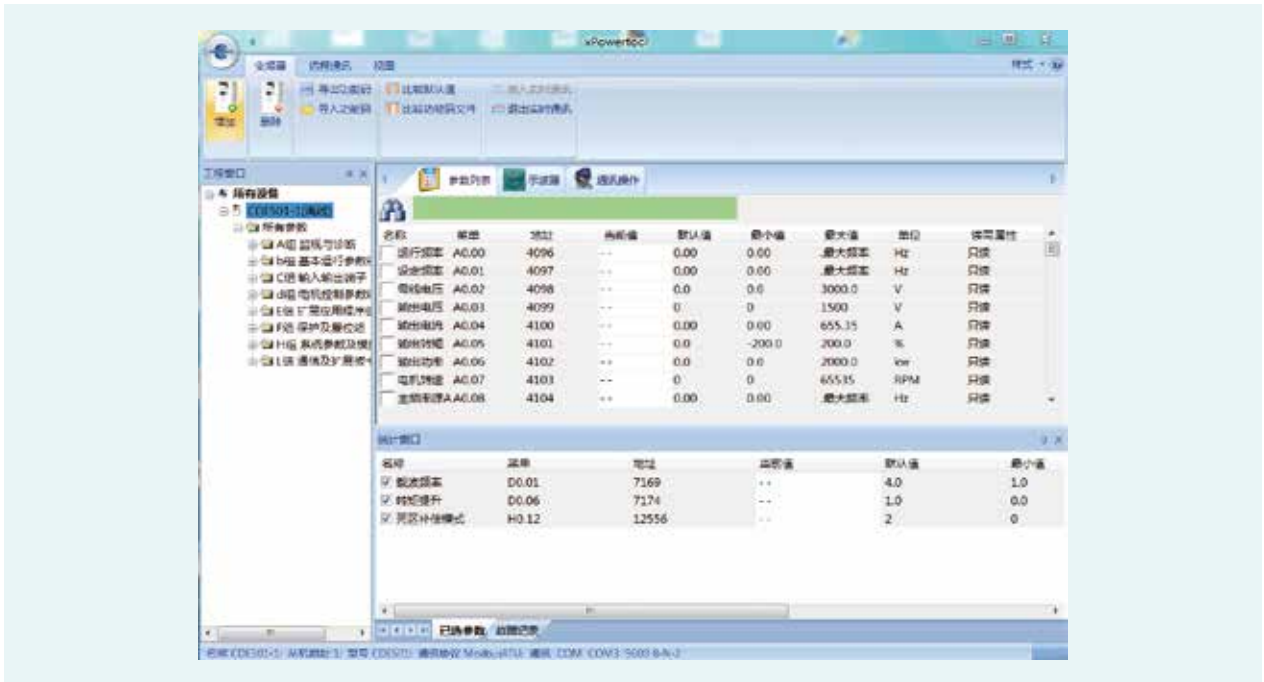
- **Standard keyboard has parameter copy function. The parameters can be uploaded or downloaded.**

- **Support of tools of xPowerTool and xLoaderTool**

xPowerTool can monitor real-time status of the inverter, configure the inverter's parameters, control inverter's operation. Using a computer, you can manage parameters of several inverters.

(1) Equipped with a variety of monitoring, parameter editing, curve operation, oscilloscope and other functions, so that the debugging and maintenance of the inverter becomes more convenient. The drive replacement function, which automatically converts parameters from previous products, eliminates the need to set parameters during replacement of the inverter or when the inverter has fault..

(2) xLoaderTool can upgrade inverter's software online for quick and easy maintenance.



- **Support master-slave control**

xPowerTool can monitor the inverter status in real time, configure the inverter parameters and control the inverter operation. Using a computer, you can manage several inverter parameters.

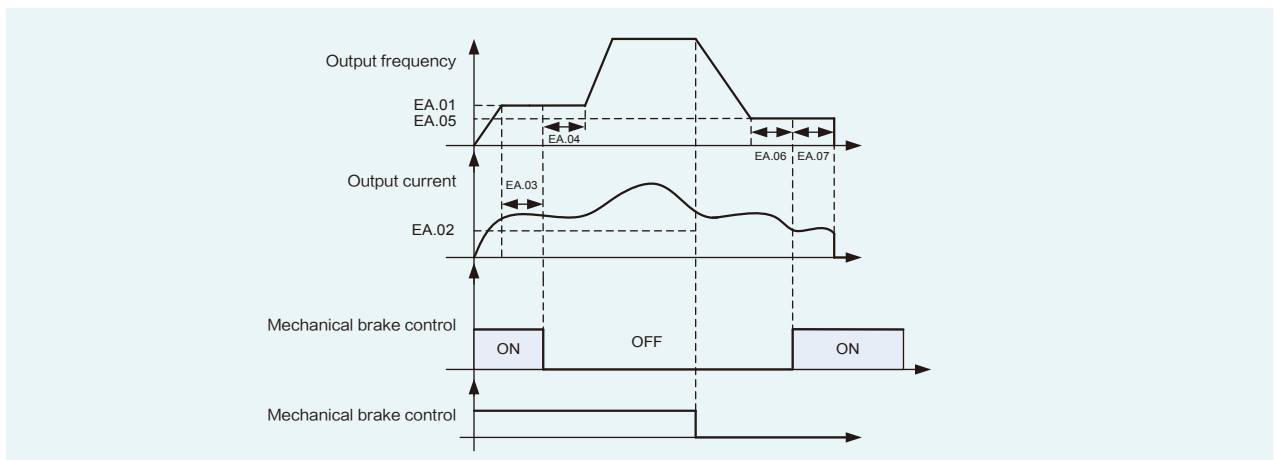
The inverter itself can be set as master or slave.

Set as master	You can select the synchronized reference value for reference of frequency, operating frequency or torque.
Set as slave	You can set whether the slave will follow the host's command.

The inverter supports drooping control, which can realize load distribution control during drive of the same load by multiple motors.

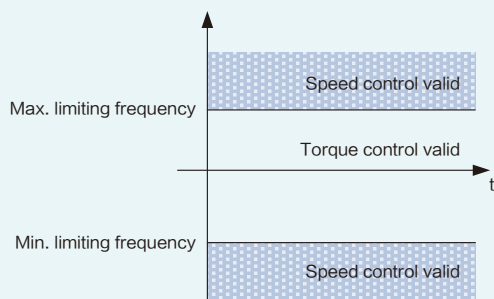
- **Support standard brake logic and other safety shutdown functions**

Inverter demonstrates outstanding performance in construction lifting, tower crane, bridge and other applications.

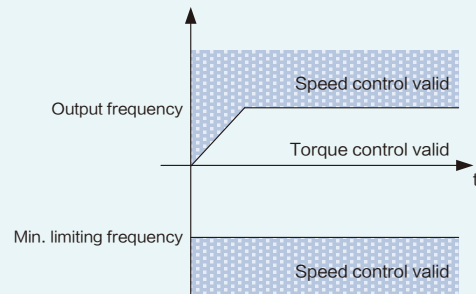


- **Support speed limiting mode under a variety of torque control. The inverter can be used in many torque control circumstances.**

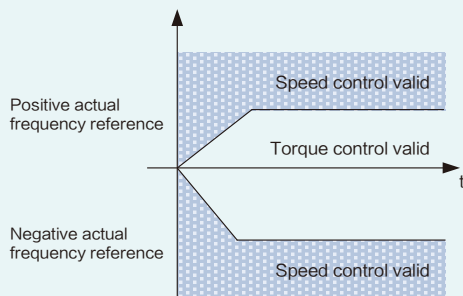
Inverter demonstrates outstanding performance in construction lifting, tower crane, bridge and other applications.



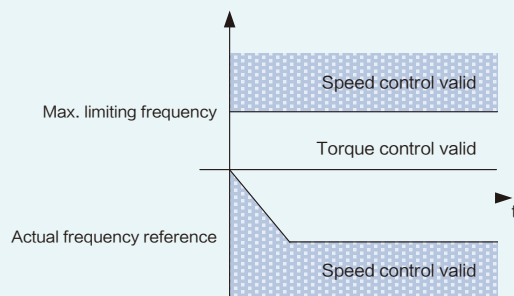
Pic. 1: Speed limiting mode 0: Diagram of setting from min. limiting frequency to max. limiting frequency



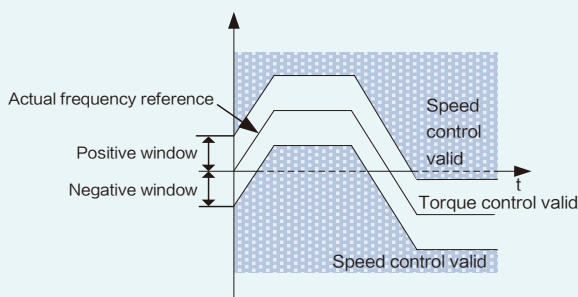
Pic. 2: Speed limiting mode 1: Diagram of setting from min. limiting frequency to output frequency



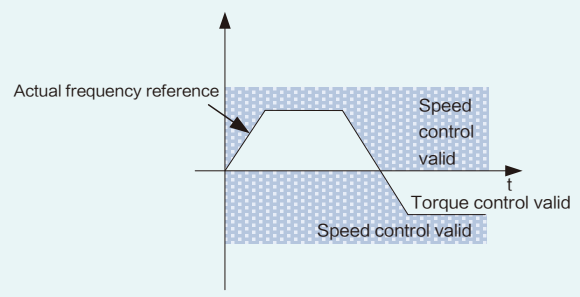
Pic. 3: Speed limiting mode 2: Diagram of setting from negative output frequency to positive output frequency



Pic. 4: Speed limiting mode 3: Diagram of setting from output frequency to max. limiting frequency



Pic. 5: Speed limiting mode 4: Diagram of setting of output frequency +window



Pic. 6: Speed limiting mode 5: Diagram of setting from 0 Hz to output frequency

● **Technical parameters**

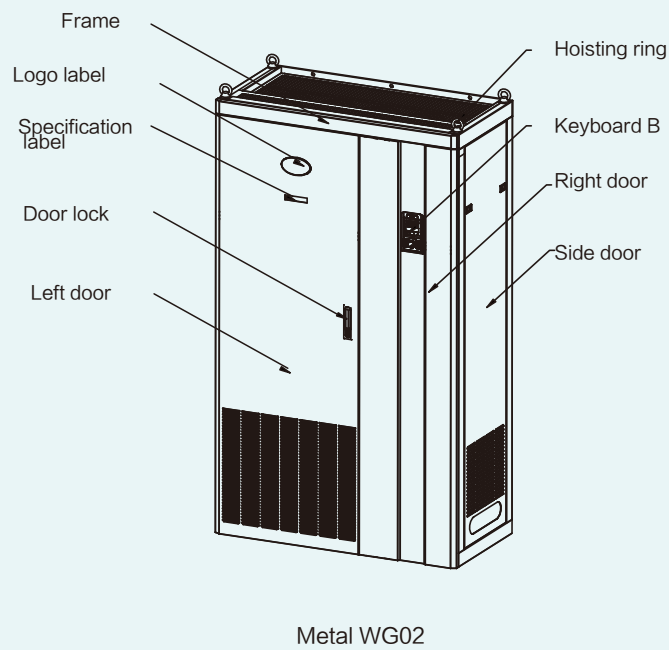
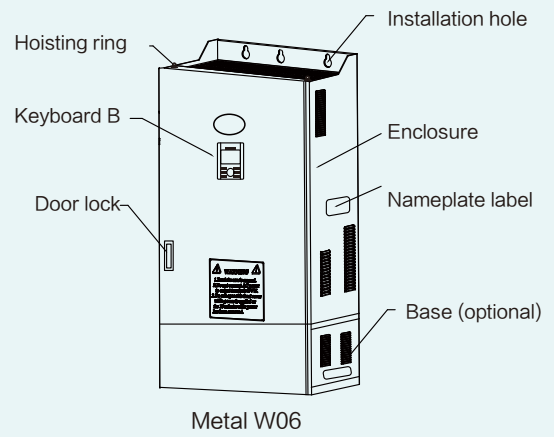
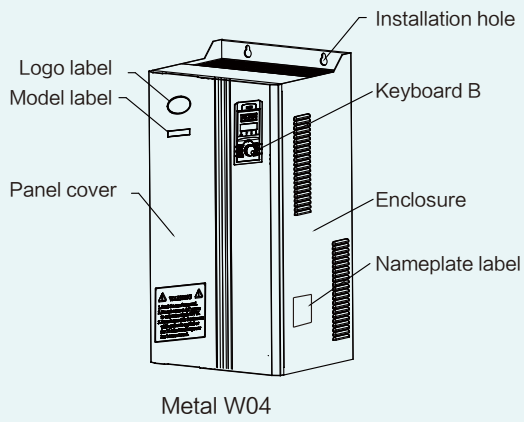
ITEM		DESCRIPTION
Basic features	Rated input	380V/690V/1140V; 50/60Hz
	Rated voltage range	Fluctuation: -15% ~ +10%; Unbalance: <3%; Frequency: 47~63Hz
	Control mode	VF control: open loop vector control, closed loop vector control
	Frequency resolution	Digital setting: 0.01Hz; Analog input: 0.5% X max. frequency
	Maximum output	V/F control: 3000Hz; Vector control: 300Hz
	Speed control range	VF control: 1:60; vector control: 1:100
	Carrier frequency	0.5 ~ 12.0KHz (maximum value is determined by the type of the inverter), automatically adjustable according to the temperature of the heat radiator.
	Start torque	0.5Hz/150% of rated torque of the motor
	Overload capacity	150% of rated output current for 60s, 180% of rated output current for 3s
Basic function	Operation mode	Keyboard: terminal (two wires, three wires); Communication (RS485); Switching of different modes is available at will through the switching amount input terminal.
	V/F curve	Straight line, multistage, multiple powers.
	Acceleration/ deceleration curve	Straight line or S curve; four sets of acceleration/deceleration time (range: 0.1 ~6000.0s)
	Torque boost	Automatic torque boost, manual torque boost
	Speed tracking	Speed tracking function is available over all power ratings
	Motor braking	DC braking, energy consumption braking, flux braking
	DC braking	Braking frequency: 0.00Hz ~ maximum frequency: Braking time: 0.0 ~ 100.0s; Braking current: 0.0 ~ 100% of rated current of the motor
	Flux braking	Applicable for circumstances where rapid stop and energy regeneration is required to prevent frequent occurrence of overvoltage protection.
	Wave-by-wave current limiting	For reducing the overcurrent fault to maximum and protect normal operation of the inverter.
	Overcurrent and overvoltage control	For automatic limiting of current and voltage during operation to prevent frequent occurrence of overcurrent overvoltage protection.
Special function	Terminal delay	Response delay (0.0 ~3000.0s) can be set to input/output terminals of switching amount.
	Jog control	Control mode: keyboard, terminal; Communication frequency: 0.00Hz ~ maximum frequency; Acceleration/deceleration time: 0.1 ~ 6000.0s.
	Multistage speed, simple PLC	Maximum 16-stage speed operation can be realized through built-in simple PLC or switching input terminal.
	Built-in two groups of PID	When used as normal PID, they can conveniently realize process control closed loop system.
	Fixed length and counting	Counting value can be changed to length for display or for fixed length control.
	Swing frequency prevention	Fixed swing frequency, sudden change and period output at any frequency can be realized.
Timing control	Inverter' s timing stop control is available (0 ~ 65000h)	

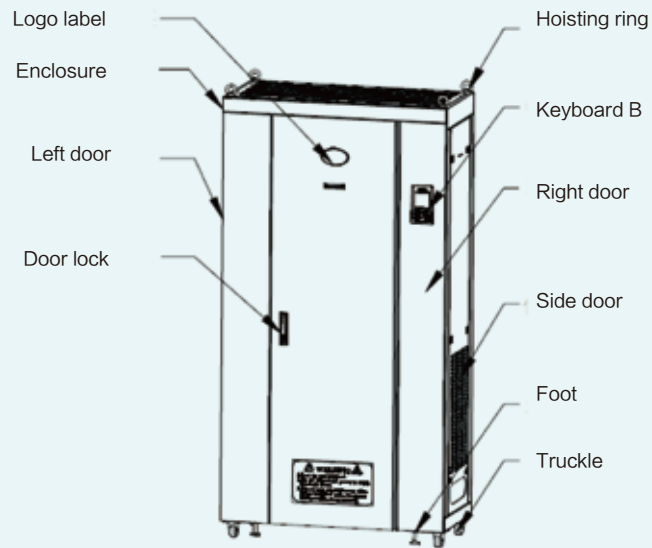
> To be continued

> Continuing

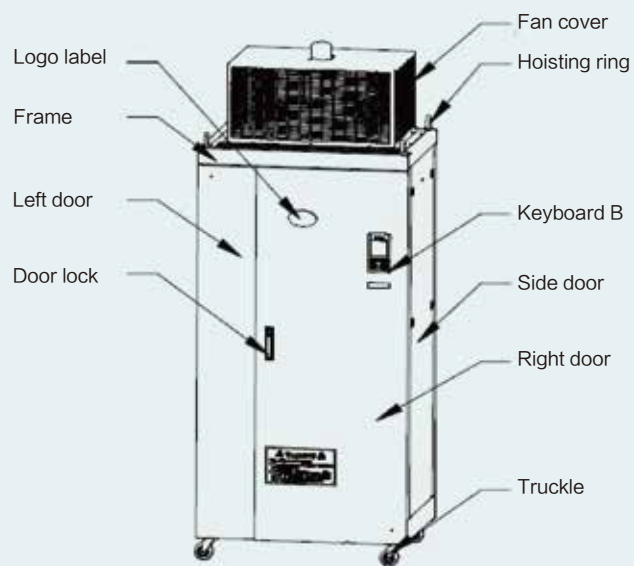
ITEM		DESCRIPTION
Special function	Non-stop during instantaneous power failure	When instantaneous power failure occurs, inverter can reduce frequency for operation so that load feedback energy compensates the reduction of bus voltage and the inverter does not stop in short time.
	Multifunction of jog key	Jog key is used for jog, direction switching and command source switching etc.
	Reference power supply	10V/30mA. Normally used for power supply of analog input signal.
	Control power	24V/200mA. Normally used for power supply of switching amount input/output terminal signal.
Peripheral terminal	Analog input	Two routes of analog input terminals, Voltage or current signal input is selectable. Each route supports three signal ranges: 0~10V, 0~20mA, -10~10V, all of which are programmable.
	Analog output	Two routes of analog output terminals, Voltage or current signal output is selectable. Each route supports two signal ranges: 0~10V, 0~20mA, all of which are programmable.
	Switching amount input	6 multifunctional switching amount input terminals, with both active PNP and NPN input modes. Among the terminals, X6 can be used for input of high speed pulse (0~100KHz), and programmable.
	Switching amount output	2 open collector output terminals, among which, Y2 can be used for output of high speed pulse (0~100KHz), and programmable. 2 relay output terminals.
Fault protection	Common type	Input/output phase failure, undervoltage, overvoltage, overcurrent, overload, short circuit, module fault, peripheral fault, self-defined fault etc.
Basic function	Site	Indoors, no exposure to direct sunshine, no dust, water drop, salt, oil mist, vapor, inflammable gas, erosive gas etc.
	Altitude	When altitude ≤ 1000m, the inverter works normally under rated conditions; When altitude > 1000m, the inverter is derated by 1% for each rise of 100 m in height. When altitude > 3000m, please consult the manufacturer for technical support.
	Temperature	-10 ~ +40° C; When the environmental temperature is within 40 C ~50 C, please keep good ventilation and use the inverter by derating. The inverter is derated by 3% for each rise of 1 °C in temperature.
	Humidity	<95%RH, no condensed water
	Vibration	<0.6g
	Storage	Storage: -25° C ~ +65° C

- Product outer view diagram





Metal WG03



Metal WG04

- **Type and specifications**

- **3-phase, 380V input**

Model of inverter	Power (KW)	Power capacity (KV/A)	Input current (A)	Output current (A)	Braking unit	DC reactor	Keypad
RNB5630-4T	630	840	1155	1120	Optional External	Standard Built-in	Standard LED+LCD dual
RNB5710-4T	710	947	1310	1270			
RNB5800-4T	800	1067	1475	1430			
RNB5900-4T	900	1200	1668	1610			
RNB51000-4T	1000	1334	1850	1790			

- **3-phase, 690V input**

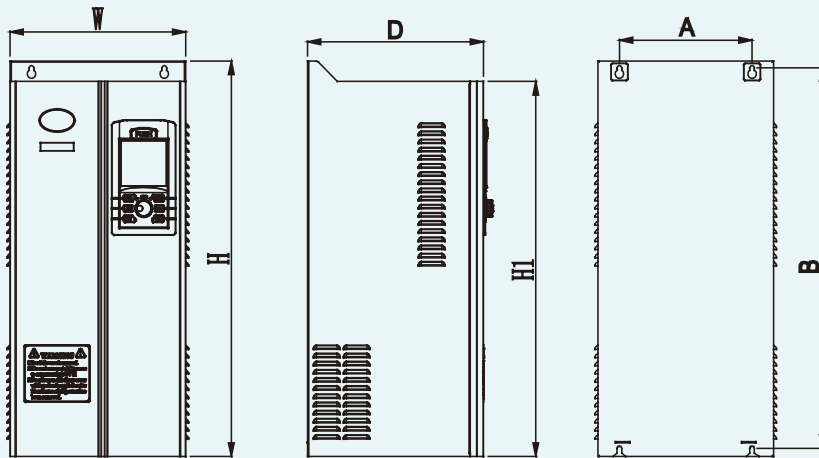
Model of inverter	Power (KW)	Power capacity (KV/A)	Input current (A)	Output current (A)	Braking unit	DC reactor	Keypad	
RNB5037-6T	37	60	50	45	Optional External	Optional External	Standard LED+LCD dual	
RNB5045-6T	45	66	55	52				
RNB5055-6T	55	79	66	63				
RNB5075-6T	75	108	90	86				
RNB5090-6T	90	122	102	98				
RNB5110-6T	110	150	125	121		Standard External		
RNB5132-6T	132	190	158	150				
RNB5160-6T	160	220	185	175				
RNB5185-6T	185	250	205	198				
RNB5200-6T	200	276	230	218				
RNB5220-6T	220	300	250	240				
RNB5250-6T	250	340	284	270				
RNB5280-6T	280	384	320	305				
RNB5315-6T	315	440	368	350				
RNB5355-6T	355	480	400	380				
RNB5400-6T	400	540	450	430				Standard Built-in
RNB5450-6T	450	588	490	490				
RNB5500-6T	500	684	570	570				
RNB5560-6T	560	756	630	630				
RNB5630-6T	630	850	715	715				
RNB5710-6T	710	950	799	799				
RNB5800-6T	800	1050	883	883				

- 3-phase, 1140V input

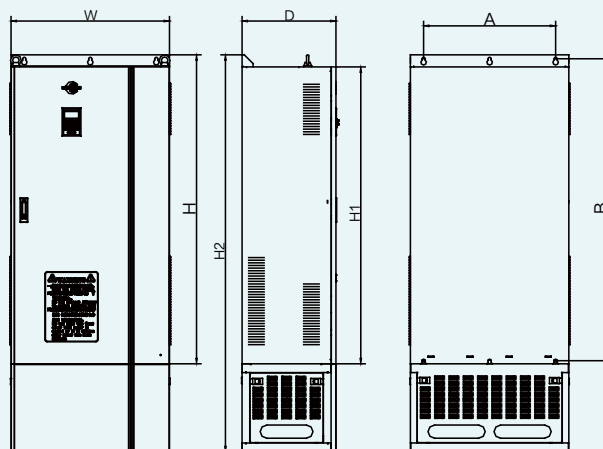
Model of inverter	Power (KW)	Power capacity (KV/A)	Input current (A)	Output current (A)	Braking unit	DC reactor	Keypad
RNB5075-11T	75	108	55	52	Optional External	Standard Built-in	标配 LED +LCD 双显 键盘
RNB5090-11T	90	123	62	59			
RNB5110-11T	110	152	77	73			
RNB5132-11T	132	183	93	88			
RNB5160-11T	160	216	109	104			
RNB5185-11T	185	254	128	122			
RNB5200-11T	200	274	139	132			
RNB5220-11T	220	308	156	148			
RNB5250-11T	250	337	171	162			
RNB5280-11T	280	376	191	181			
RNB5315-11T	315	432	219	208			
RNB5355-11T	355	470	238	226			
RNB5400-11T	400	540	274	260			
RNB5450-11T	450	609	308	293			
RNB5500-11T	500	678	343	326			
RNB5560-11T	560	738	374	355			
RNB5630-11T	630	831	421	400			
RNB5710-11T	710	935	474	450			

Note: Models in the tables are single machines, vertical cabinet type.

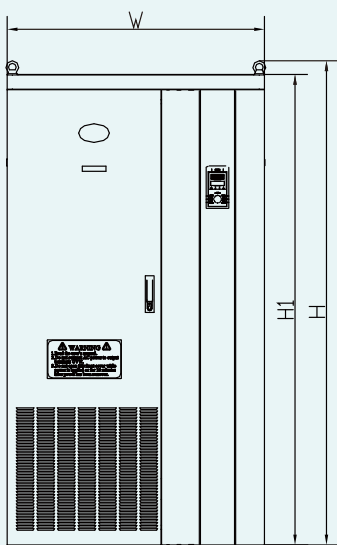
- Outer dimensions and installation dimensions
- Product' s outer dimensions diagram



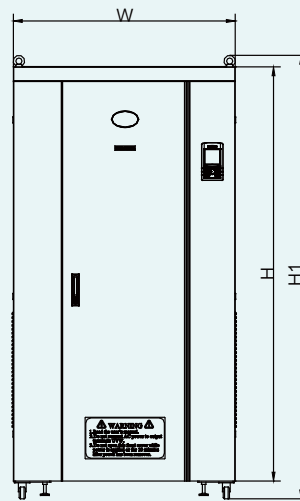
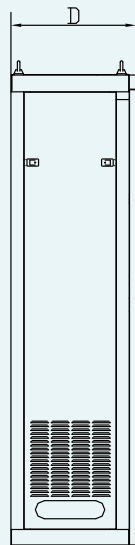
Dimension diagram C02



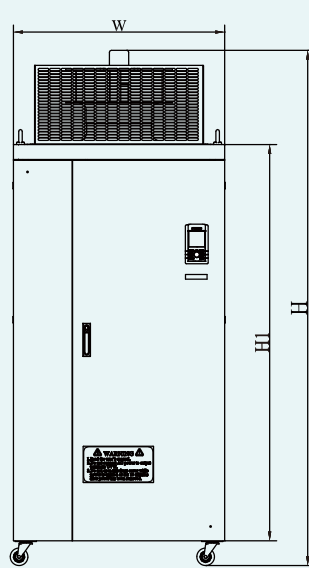
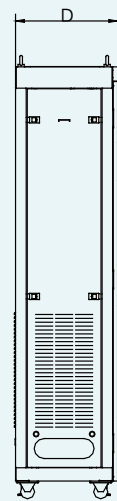
Dimension diagram C04



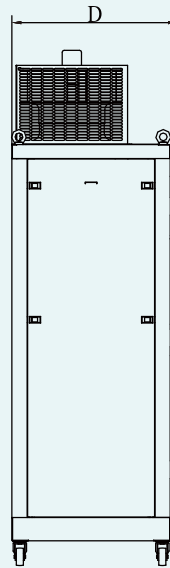
Dimension diagram CG02



Dimension diagram CG03



Dimension diagram CG04



• Table of outer installation dimension data

Outer diagram	Model of inverter	Outer dimensions (mm)				Installation dimensions (mm)			Dimension diagram
		H	H1	W	D	A	B	Hole diameter	
3-phase, 380V									
WG02	RNB5630-4T	2060	2000	1200	620	/	/	/	CG02
	RNB5710-4T								
	RNB5800-4T	2160	2100	1250	635	/	/	/	
	RNB5900-4T	2260	2200	1500	650	/	/	/	
	RNB51000-4T								
3-phase, 690V									
W04	RNB5018-6T	582	552	265	265	200	560	Φ7	C02
	RNB5022-6T								
	RNB5030-6T								
	RNB5037-6T	760	720	330	320	200	733	Φ9	
	RNB5045-6T								
	RNB5055-6T								
	RNB5075-6T								
W06	RNB5090-6T	1030	980/ H2: 1350	480	352	320	998	Φ12	C04
	RNB5110-6T								
	RNB5132-6T								
	RNB5160-6T	1210	1160/ H2: 1590	640	400	420	1178	Φ12	
	RNB5185-6T								
	RNB5200-6T								
	RNB5220-6T								
	RNB5250-6T	1405	1350/ H2: 1805	720	426	600	1373	Φ14	
	RNB5280-6T								
	RNB5315-6T								
RNB5355-6T									
W06	RNB5400-6T	1870	2020	1000	500	/	/	/	CG03
	RNB5450-6T								
	RNB5500-6T								
	RNB5560-6T								
	RNB5630-6T								
	RNB5710-6T	2200	1350	1250	635	/	/	/	
	RNB5800-6T								
3-phase, 1140V									
WG03	RNB5075-11T	1200	1360	680	450	/	/	/	CG03
	RNB5090-11T								
	RNB5110-11T								
	RNB5132-11T								

> To be continued

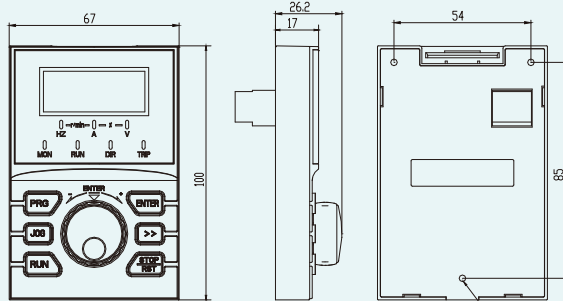
> Continued

Outer diagram	Model of inverter	Outer dimensions (mm)				Installation dimensions (mm)			Dimension diagram
		H	H1	W	D	A	B	Hole diameter	
3-phase, 1140V									
WG03	RNB5160-11T	1500	1660	800	500	/	/	/	
	RNB5185-11T								
	RNB5200-11T								
	RNB5220-11T								
	RNB5250-11T								
WG04	RNB5280-11T	2150	1700	900	570	/	/	/	CG04
	RNB5315-11T								
	RNB5355-11T								
	RNB5400-11T								
	RNB5450-11T	2355	1900	1100	700	/	/	/	
	RNB5500-11T								
	RNB5560-11T								
	RNB5630-11T								
RNB5710-11T									

● Outer shape and dimensions of keypad of RNB5000

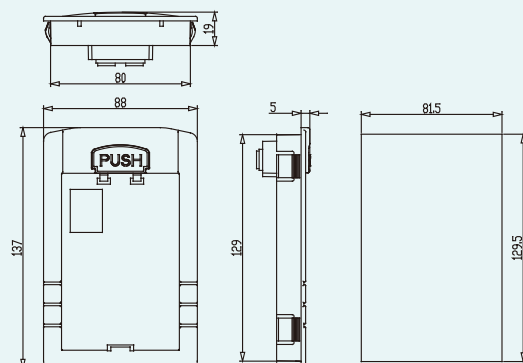
● Keypad A (LED)

4 digit LED display. See the following diagram for outer appearance and dimensions:



Picture of keypad A

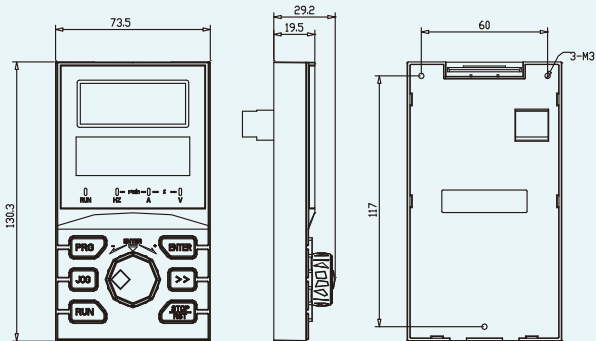
Keyboard A together with its baseis used for the sheet metal structure or user' s add-on. See the following diagram for outer appearance and dimensions:



Picture of base of keypad A

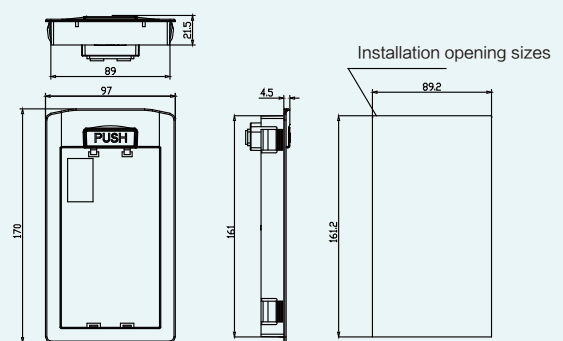
- **Keypad B (LED+LCD dual displays)**

4 digit LED+LCD dual displays. See the following diagram for outer shape and dimensions:



Picture of keypad B

Keyboard B together with its base is used for the sheet metal structure or user's add-on. See the following diagram for outer shape and dimensions:



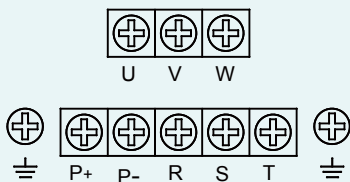
Picture of base of keypad B

- **Basic wiring diagram**

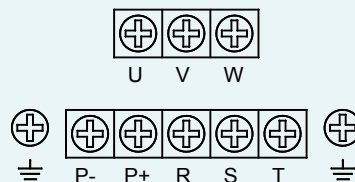
- **Terminals of the main circuit**



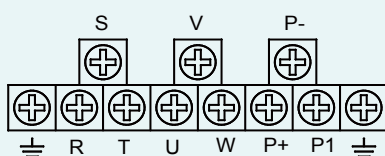
Pic.7 RNB5560-4T



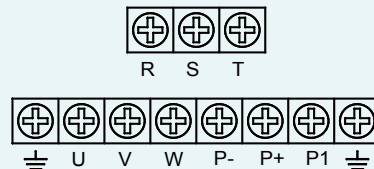
Pic.8 RNB5630-4T ~ RNB5710-4T



Pic.9 RNB5800-4T ~ RNB51000-4T



Pic.11 RNB5037-6T ~ RNB5075-6T



Pic.12 RNB5090-6T ~ RNB5355-6T



Pic.13 RNB5400-6T ~ RNB5800-6T



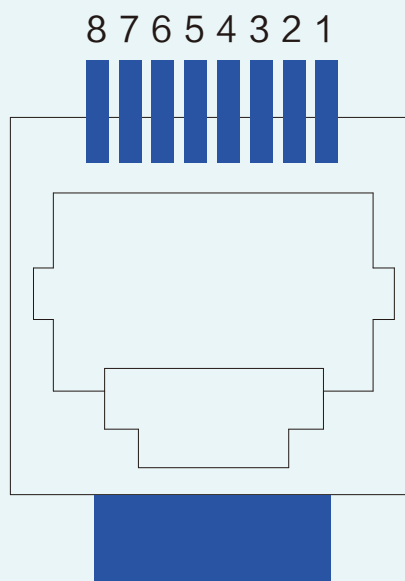
Pic.14 RNB5075-11T ~ RNB5710-11T

• Description of the terminals of the main circuit for the inverter

Code of the terminal	Name	Description
R、S、T	3-phase power supply input terminal	Connection point of AC input 3-phase power supply
P+、P-	Positive/negative terminal of the DC bus	Input point of common DC bus
P+、PB	Connection terminal of braking resistor	Connection point of braking resistor
P1、P+	Connection terminal of outer reactor	Connection point of external reactor
U、V、W	Output terminal of the inverter	Connected to 3-phase motor
⊥	Grounding terminal	Grounding terminal

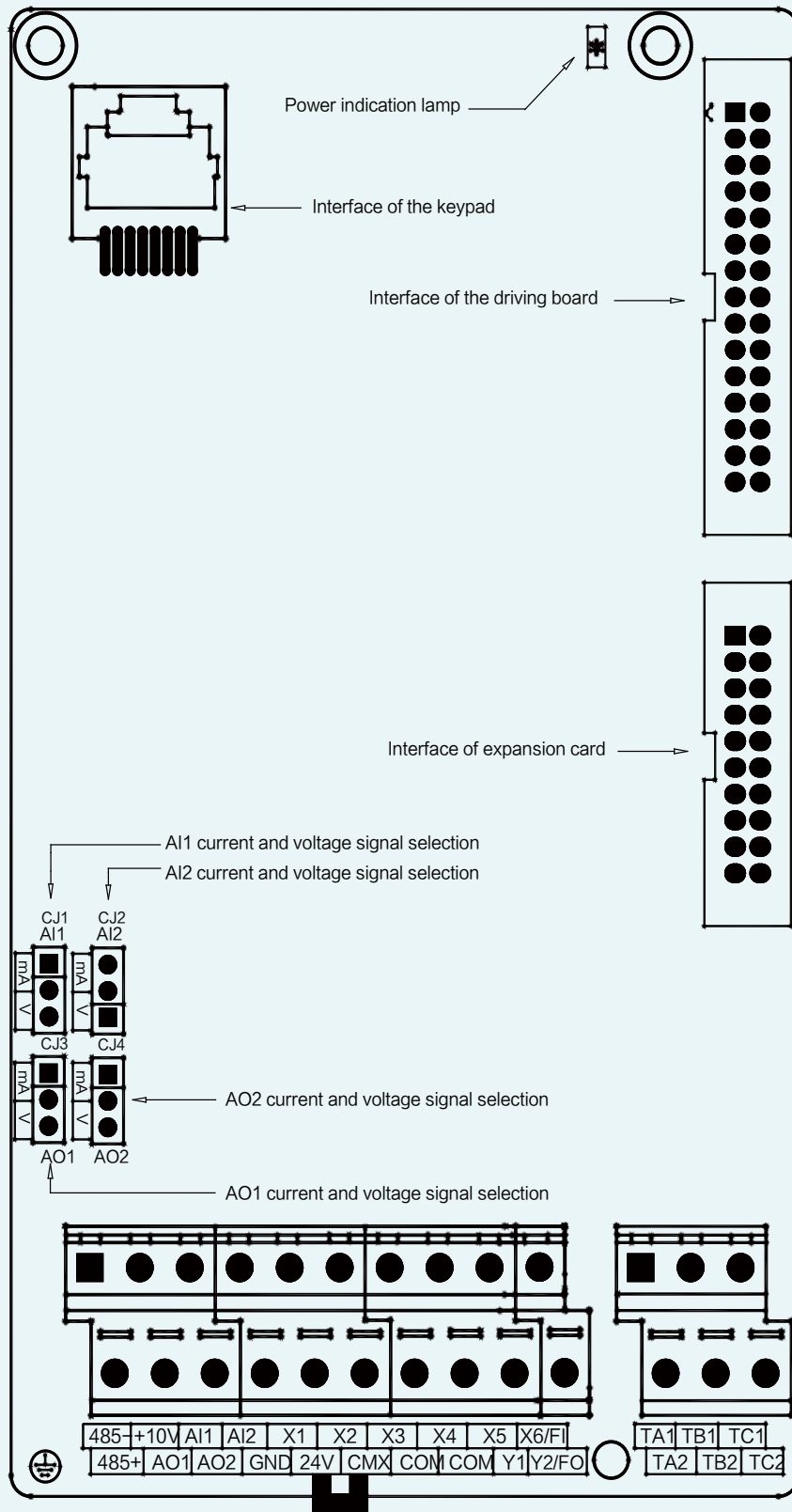
• Description of control terminal and wiring

- The layout of the control terminals are as follows:



- Foot 1: Empty
- Foot 2: +15V
- Foot 3: +15V
- Foot 4: 485-
- Foot 5: 485+
- Foot 6: GND
- Foot 7: GND
- Foot 8: Empty

Pic. 15: Diagram of connection foot of the keypad

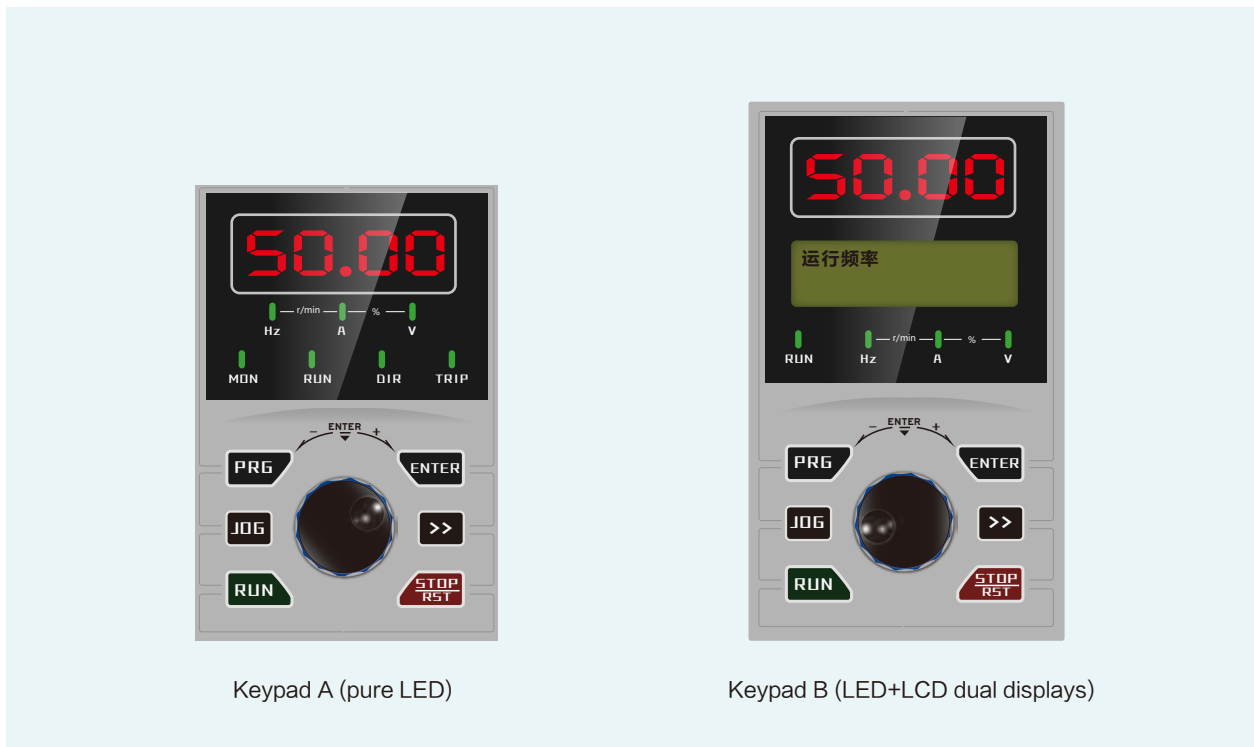


Pic. 16: Layout diagram of control terminals of RNB5000 vector frequency inverter



Note: The default connection is short connection of 24V and CMX. The jumpers of AI1, AO1 and AO2 is “V” (voltage), and jumper of AI2 is “mA” (current).

- External appearance of the keypad



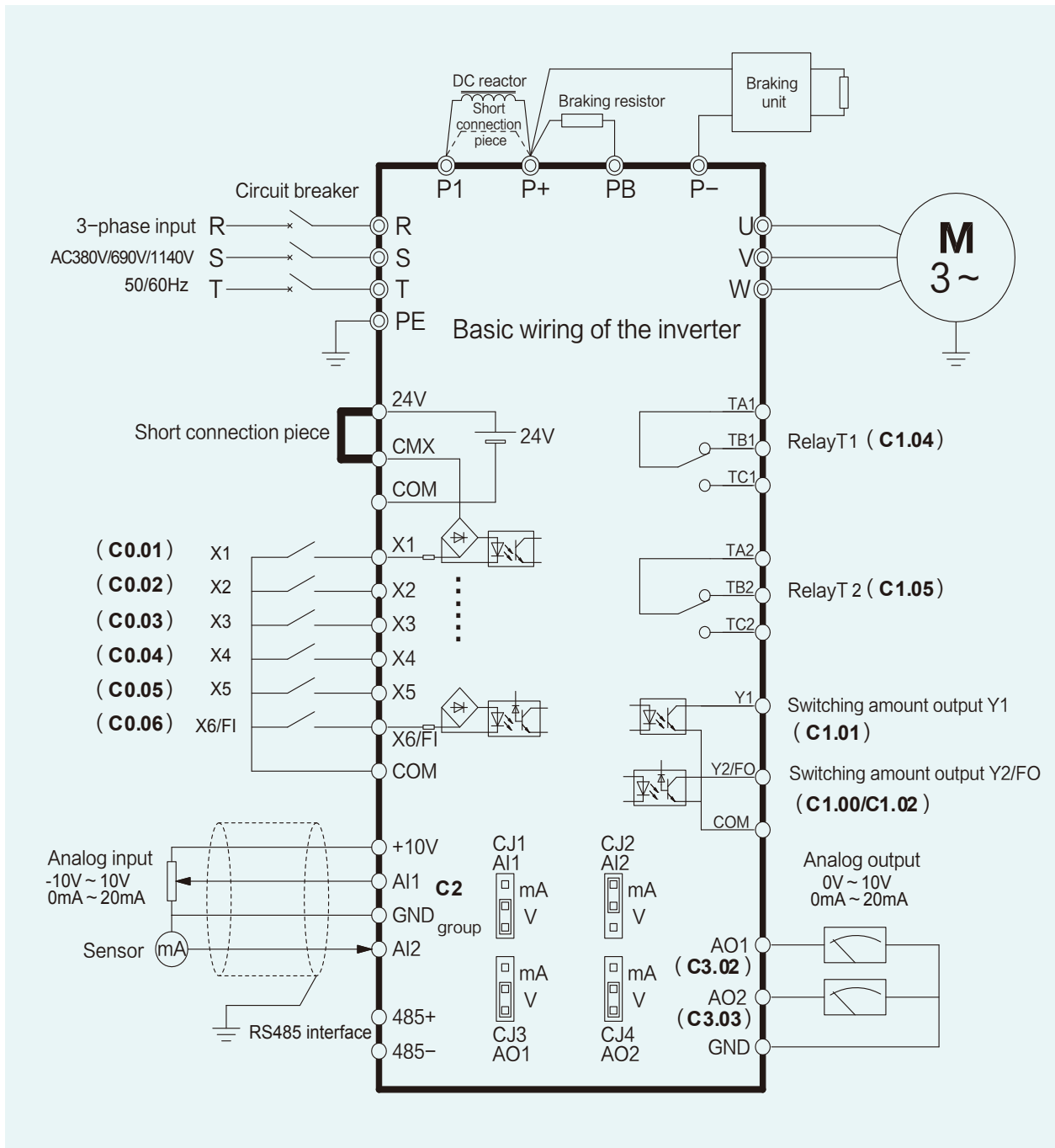
- Keypad indication lamp

Description of the keypad lamps of the RNB5000 series frequency inverter

	Lamp	Name	Meaning
Unit indication	Hz	Frequency indication	The unit of the currently displayed parameter is Hz.
	A	Current indication lamp	The unit of the currently displayed parameter is A.
	V	Voltage indication lamp	The unit of the currently displayed parameter is V.
	Hz + A	Speed indication lamp	The unit of the currently displayed parameter is R/MIN (rotation/minute)
	A + V	Percentage indication lamp	The unit of the currently displayed parameter is % (percentage).
	Hz + V	MPa indication lamp	The unit of the currently displayed parameter isMPa.
State indication	(MON)	Command source indication lamp	Off: Keypad control; On: Terminal control; Blink: Communication control
	RUN	Operation/stop indication lamp	On: Operation state; Off: Stop state; Blink: Deceleration state
	(DIR)	Direction indication lamp	Off: There is forward command during stop or in the forward operation. On: There is reverse command during stop or in the reverse operation.
	(TRIP)	Fault state indication lamp	The frequency inverter is in alarming or fault state

Note: The lamp with brackets “()” exists only in keypad A; Indication lamps RUN and TRIP are red, and others are green.

● Basic wiring diagram



Note:

- Terminal \odot means terminal of the main circuit, and \circ means terminal of the control circuit.
- Both the inverter and the motor should be reliably grounded.
- If neither the motor nor the inverter can be grounded, please connect the grounding terminal of the motor and the PE terminal of the inverter.

- **Several project acceptance reports**



- **Part of achievements**

- DatangGangu Power Plant
- Datang Shandong Power Generation Technical Engineering Co., Ltd.
- GuizhouHuadianTangzhai Power Generation Co., Ltd.
- Hubei Xiangfan Power Generation Co., Ltd of China Huadian Corporation Ltd.
- Wujiang Thermal Power Company of China Huadian Engineering (Group) Co., Ltd.
- Weihai Thermal Power Group Co., Ltd.
- Anhui HuadianLu' an Power Plant
- Xinjiang Steel and Iron Co., Ltd of Laigang Group
- Tonghua Iron & Steel Co., Ltd.
- Jigang International Engineering & Technology Co., Ltd.
- Shanxi Jindi Mining Co., Ltd
- Alxa Yellow River High Head Irrigation Administration
- ZuoyunDonggucheng Coal Co., Ltd of Shanxi Coal Imp. & Exp. Group Co., Ltd.
- Xinjiang Xiyi Instrument Sales Co., Ltd.
- Xinjiang Yili Biotechnology Co., Ltd.
- Sichuan HuiliHengchao Mine Co., Ltd.





雷诺尔

Shanghai RENLE
Science&Technology Co., Ltd.

National Key Projects



Three Gorges Project

Beijing Olympic Rowing-Canoeing Park

Beijing Olympic Games Supporting Projects

Beijing Wukesong Gymnasium

Government Offices Administration of the State Council

CCTV, China

Beijing Capital International Airport

South-to-North Water Diversion Project

Huangshan-Quzhou-Nanping Expressway

West-to-East Electricity Transmission Project

West-to-East Natural Gas Transmission Project

Stations of Shanghai Magnetic Levitation Rail Transportation

Expo 2010 Shanghai China Supporting Projects

Shanghai Pudong Airport

Shanghai International Automobile Museum

Shanghai Hongqiao Airport Extension Project

Terminal of Inner Mongolian Hohhot Baita International Airport Extension Project

Shenyang Olympic Center

Qingdao Olympic Center

Jinan Olympic Center

Chengdu Shuangliu International Airport Extension Project

Chongqing Yuanjiagang Olympic Sports Center

Guangzhou New Baiyun International Airport

Wuhan Tianhe Airport

Shanghai Metro Line 3

Chongqing International Convention & Exhibition Center

Shanxi Wanjiashai Yellow River Diversion Project

Qinghai Xiaoyou Mountain Ecological Engineering

Tianjin Eight Large Regions Heating Engineering

Shandong Heze City Yellow River Diversion Project

Yangshan Deepwater Port Project of Shanghai International Shipping Center

Sichuan Xichang Satellite Launching Center

Guangxi Longtan Hydroelectric Project

Gansu Satellite Launching Center
Yunnan Honghe River Nansha Hydropower Station
Datang International Power Generation Co., Ltd.
Guizhou Kailin (Group) Co., Ltd
Inner Mongolian Shenhua Group Corporation Limited
Shanghai Petrochemical Company Limited
Baosteel Group Corporation in Shanghai
Taizhou Petrochemical Co., LTD
Anshan Iron and Steel Group Corporation
Jilin Petrochemical Company
Wuhan Iron and Steel (Group) Corp.
Liuzhou Chemical Industry Co., Ltd, Guangxi
Beijing Shougang Company Limited
SINOPEC Cangzhou Company
China Great Wall Aluminum Corporation
SINOPEC Luoyang Company
Guangxi Pingguo Aluminium Company
Yueyang Petrochemical Factory
Liuzhou Iron and Steel Co., Ltd
Sinopec Nanjing Chemical Industry Co., Ltd
Magang (Group) Holding Company Ltd
SINOPEC Beijing Yanshan Company
Shanxi Zhongyang Iron and Steel Co., Ltd.
PetroChina Urumqi Petrochemical Company
Daqing Oilfield Limited Company
PetroChinaJinxi Petrochemical Company
SINOPEC Shenli Oilfield
CNPC Dushanzi Petrochemical Company
PetroChinaLiaohe Oilfield
Beijing Financial Street
PetroChinaTarim Oilfield
Panda Museum of Chengdu Panda Ecological Park
Karamay Oilfield
Qingdao Beihai Shipyard
PetroChinaChangqing oilfield

